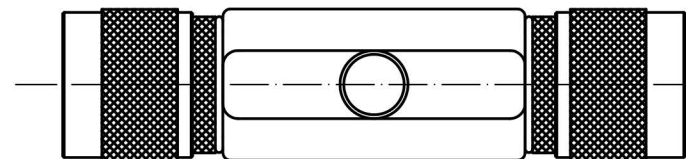
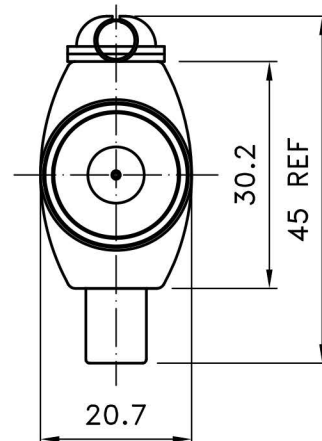
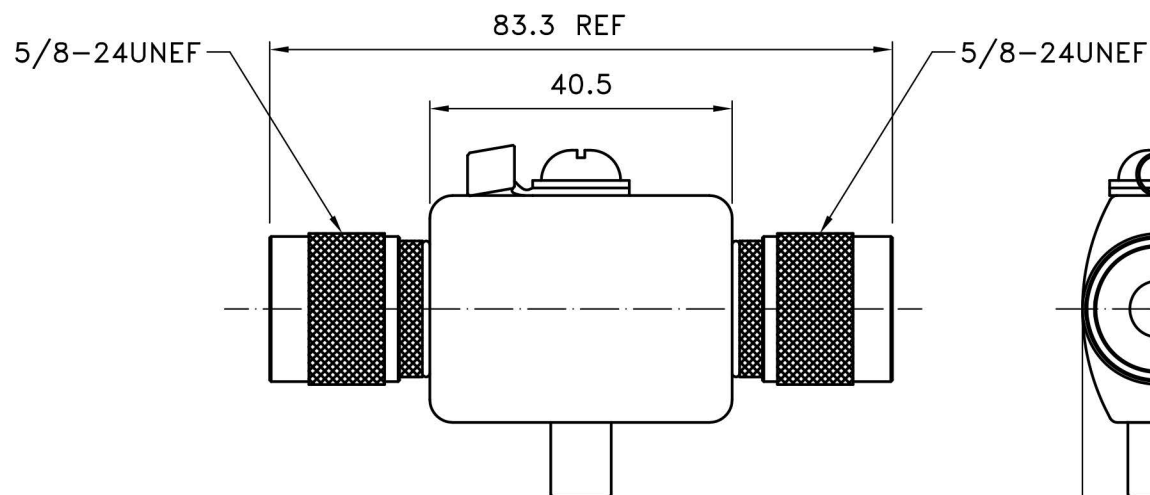
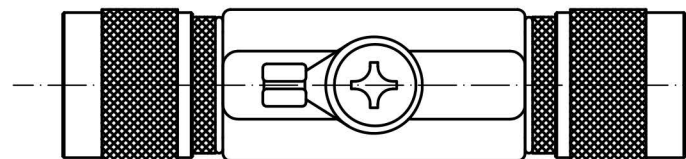


| REV | DATE | DESCRIPTION | DRAWN |
|-----|------|-------------|-------|
| △ | | | |



SPECIFICATIONS:

*BODY:ALUMINUM(6061)/BLACK MATT FINISH

***CONNECTOR:**

N MALE/BRASS/NICKEL PLATED
CONTACT/BRASS/GOLD PLATED
INSULATOR/TEFLON

*FREQUENCY RANGE:3GHz

*V.S.W.R:a.1GHz~2GHz LESS THAN 1.2
b.2GHz~3GHz LESS THAN 1.5

*INSERTION LOSS:LESS THAN 0.2dB

*DC BREAKDOWN VOLTAGE:DC90V±20%

*TOLERANCE OF DCBV: ±15%

*IMPULSE BREAKDOWN VOLTAGE@1KV/us: ≤700V 5KV/MAX

*AC DISCHARGE CURRENT@50Hz:10A

***Surge Discharge Current:**

100A(10/1000 μs,300times with 3mins interval)

10kA (8/20 μs,10times with 3mins interval)

*INSULATION RESISTANCE: ≥10000Mohm

*ELECTRODE CAPACITANCE@1MHz: ≤1.5

| NOTE | DIMENSION |
|--|--|
| 1.STRIP ALL BURRS. 2.ALL DIMENSIONS ARE AFTER PLATING. 3.DIAMETERS ON COMMON CENTERS. TO BE CONCENTRIC WITHIN 0.1 T.I.R 4.CHAMFER 1ST & LAST THREADS 45° 5.BREAK ALL CONNERS & EDGES CO.15 MAX. | UNLESS OTHERWISE NOTED TOLERANCES X=±0.3 0.X=±0.2 0.XX=±0.1 |

| | |
|---|------------------------|
|  WIFI-Link™ 台灣威海尼可 | |
| TITLE LP N Male TO N Male 3GHz | |
| DRAWING NO. WL-LA-NP-NP3G | |
| APPROVED | DRAWN DATE 01/21/11 |
| CHECKED | SCALE 1:1 |
| DRAWN ALICE | UNIT mm |