



WIFI-Link™ Technologies Inc.

歲海尼可網路科技有限公司

WEB:<http://www.wifi-link.com.tw/> TEL:06-2523801 FAX:06-2526033

7dBi全向型天線N Male(2.4GHz OMNI Antennas)

WLMO-2450-07-N(M)

APPLICATIONS AND FEATURES

Applications:

- 2.4GHz-2.5GHz 7dbi ISM Band
- IEEE 802.11b/g/n Wireless LAN
- Directional application
- Bluetooth、Wi-Fi, RFID
- Public Wireless Hotspot
- Wireless Video Systems

Features :

- Superior Performance
- The Weight is light
- Good appearance design
- Installed for vertical or horizontal polarization
- Heavy Duty mounting
- RoHS Compliant



SPECIFICATIONS:

Electrical Specifications

Frequency Range	2400~2483 MHz
V.S.W.R	≤ 1.5:1
Return Loss	≥ -14db
Antenna Type	Collinear
Gain	7dBi
Polarization	Vertical
Maximum Power	50W
Vertical Beam-with	16°
Horizontal Beam-with	360°
Impedance	50Ω
Connector	N-Male

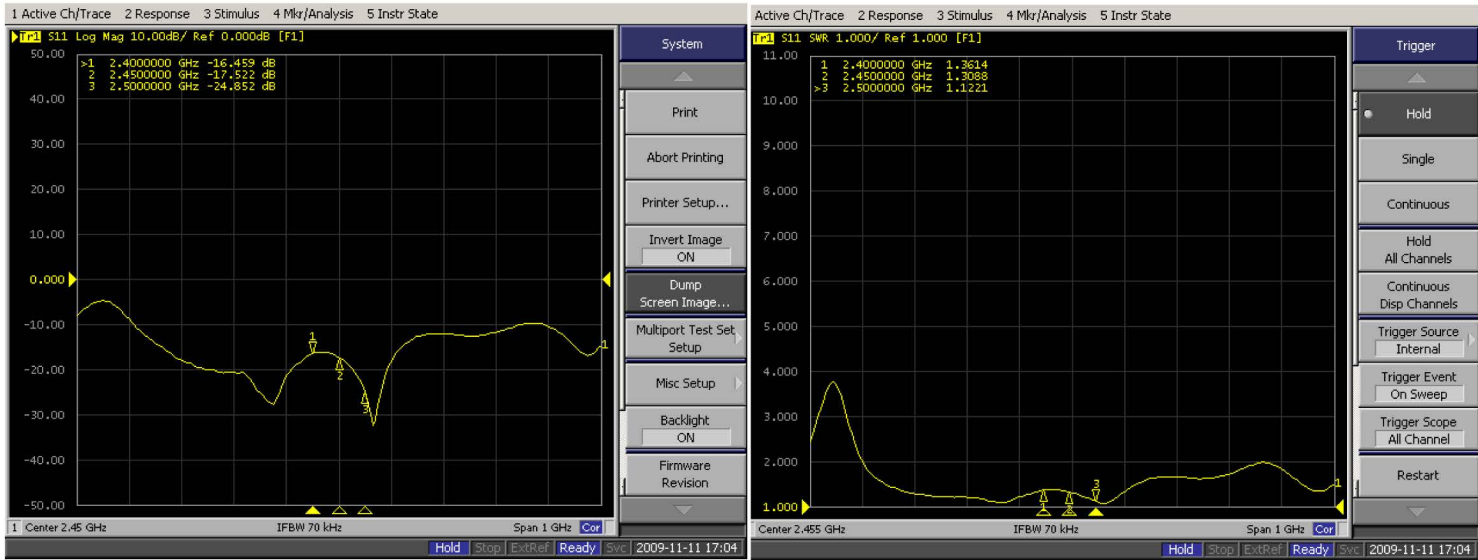
Mechanical Specifications

Dimension	φ 18.8x330mm
Weight	85g
Wind Survival	> 120 MPH
Radome Material	White Fiberglass
Clamps	Multiple options
Mounting	Multiple options
Operating Temperature	-40°C to +80°C

TESTING REPORT

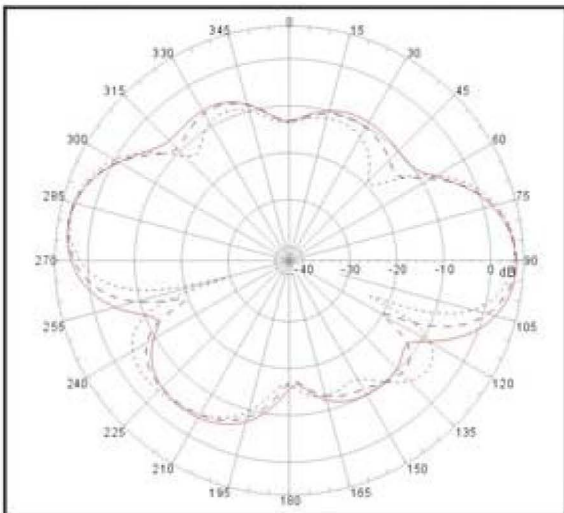
Return Loss

V.S.W.R

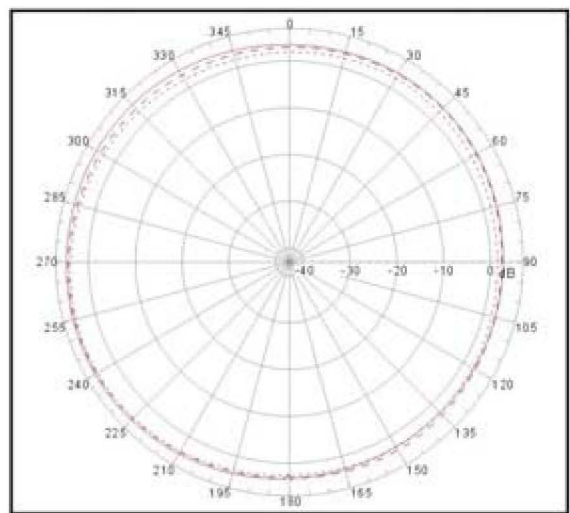


Antenna Vertical & Horizontal Pattern

Vertical



Horizontal



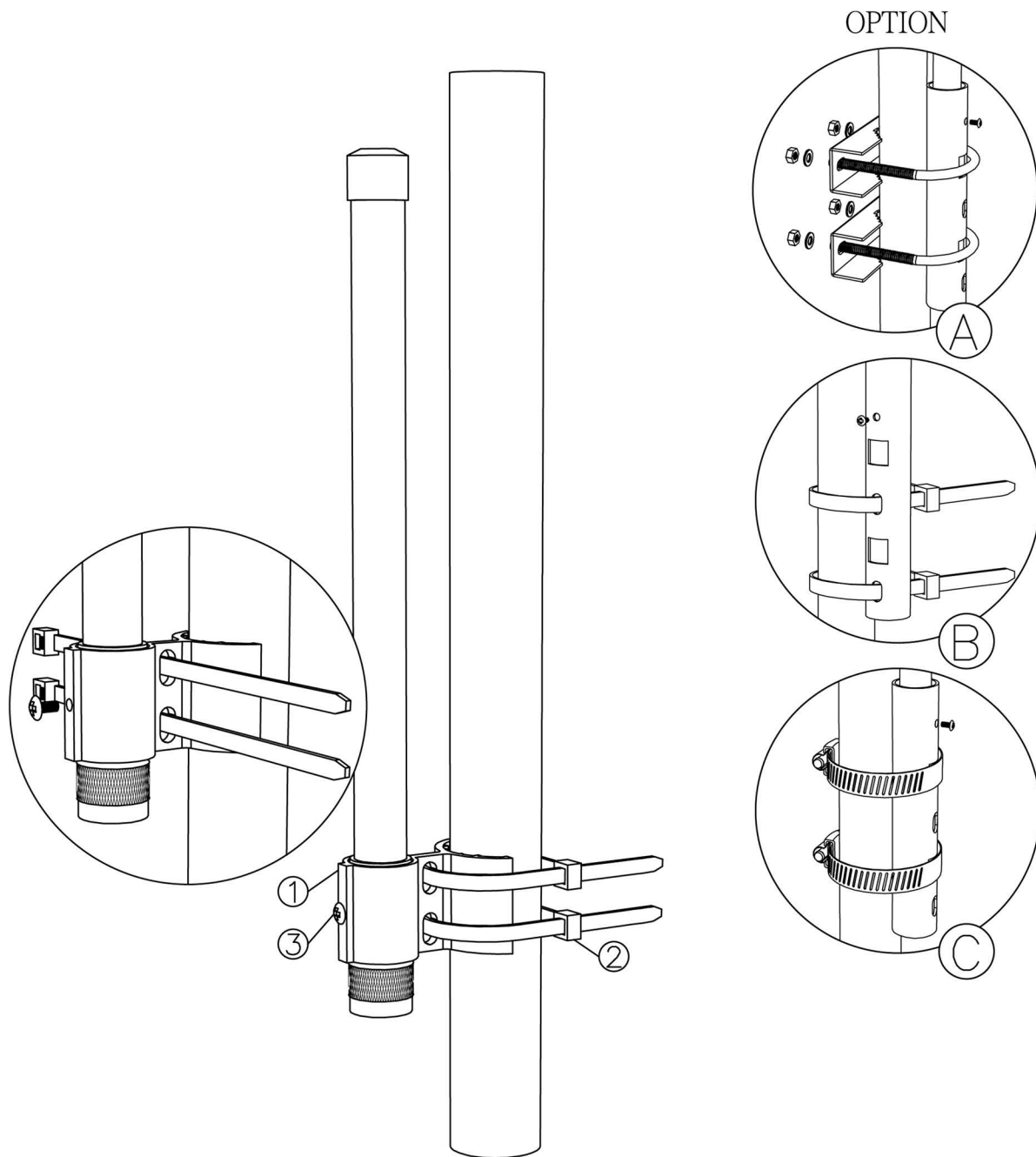
WiFi-Link™ Technologies Inc.

歲海尼可網路科技有限公司

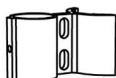
WEB:<http://www.wifi-link.com.tw/> TEL:06-2523801 FAX:06-2526033

All copyrights reserved All copyrights reserved All copyrights reserved All copyrights reserved

7dBi全向型天線N Male(2.4GHz OMNI Antennas)



ACCESSORIES

①  * 1 PC

②  * 2 PC

③  * 1 PC



WIFI-Link™ Technologies Inc.

歲海尼可網路科技有限公司

WEB: <http://www.wifi-link.com.tw/> TEL: 06-2523801 FAX: 06-2526033