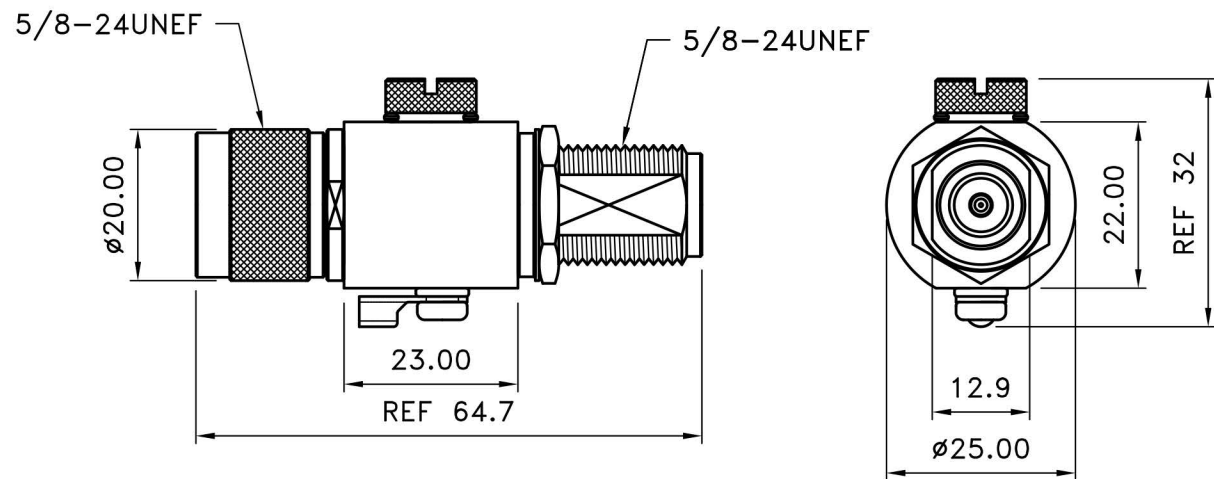


REV	DATE	DESCRIPTION	DRAWN
▲			



SPECIFICATIONS:

***CONNECTOR:**

N MALE/N FEMALE

*FREQUENCY RANGE:2-6GHz

*V.S.W.R:1:1.7Max

*INSERTION LOSS:LESS THAN 0.9dBi

*IMPEDENCE:50ohm

*DC BREAKDOWN VOLTAGE:230V

*TOLERANCE OF DCBV:±20%

*IMPULSE BREAKDOWN VOLTAGE:≤700V

*MAX WITHSTAND CURRENT:5KV

*INSULATION RESISTANCE:≥10000Mohm

*RF POWER RATING:15W



TITLE
LP N Male TO N Female BKD 6GHz

DRAWING NO.
WL-LA-NP-NJB6G

APPROVED	DRAWN DATE 01/21/11
----------	------------------------

CHECKED	SCALE 1:1
---------	--------------

DRAWN ALICE	UNIT mm
----------------	------------

NOTE	DIMENSION
1. STRIP ALL BURRS. 2. ALL DIMENSIONS ARE AFTER PLATING. 3. DIAMETERS ON COMMON CENTERS. TO BE CONCENTRIC WITHIN 0.1 T.I.R 4. CHAMFER 1ST & LAST THREADS 45° 5. BREAK ALL CONNERS & EDGES CO.15 MAX.	UNLESS OTHERWISE NOTED TOLERANCES X=±0.3 0.X=±0.2 0.XX=±0.1