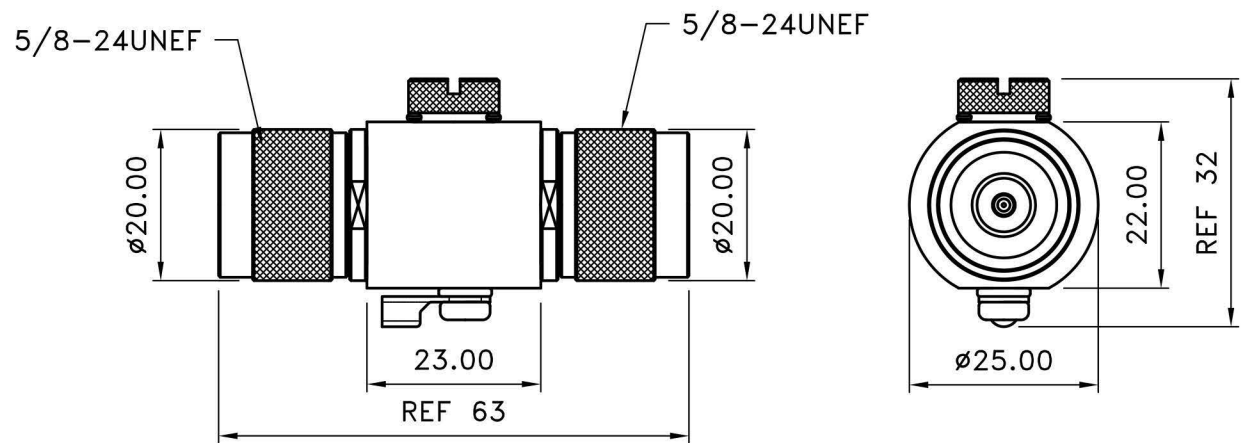


| REV | DATE | DESCRIPTION | DRAWN |
|-----|------|-------------|-------|
| ▲ | | | |



SPECIFICATIONS:

- *CONNECTOR:
N MALE/N MALE
- *FREQUENCY RANGE:2-6GHz
- *V.S.W.R:1:1.7Max
- *INSERTION LOSS:LESS THAN 0.9dBi
- *IMPEDENCE:50ohm
- *DC BREAKDOWN VOLTAGE:230V
- *TOLERANCE OF DCBV:±20%
- *IMPULSE BREAKDOWN VOLTAGE:≤700V
- *MAX WITHSTAND CURRENT:5KV
- *INSULATION RESISTANCE:≥10000Mohm
- *RF POWER RATING:15W

| NOTE | DIMENSION |
|---|--|
| 1. STRIP ALL BURRS. 2. ALL DIMENSIONS ARE AFTER PLATING. 3. DIAMETERS ON COMMON CENTERS. TO BE CONCENTRIC WITHIN 0.1 T.I.R 4. CHAMFER 1ST & LAST THREADS 45° 5. BREAK ALL CONNERS & EDGES CO.15 MAX. | UNLESS OTHERWISE NOTED TOLERANCES X=±0.3 0.X=±0.2 0.XX=±0.1 |

| | |
|---|------------------------|
|  WIFI-Link™ 台灣崑海尼可 | |
| TITLE LP N Male TO N Male 6GHz | |
| DRAWING NO. WL-LA-NP-NP6G | |
| APPROVED | DRAWN DATE 01/21/11 |
| CHECKED | SCALE 1:1 |
| DRAWN ALICE | UNIT mm |